

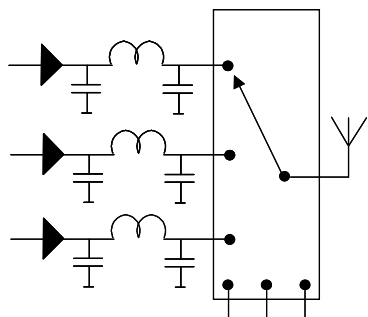
NXP tunable RF

What if you could...

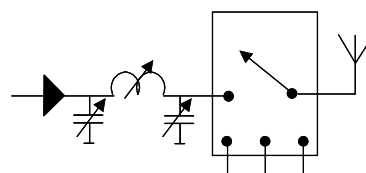
- increase battery life by 20%?
- increase receive sensitivity by 6-8dB?
 - prevent call drops?
- decrease RF-complexity?

NXP develops smart RF-systems for mobile communication.

**Conventional
Multi PA for 2/3G**



**Configurable PA
Single PA for all**



**Adaptive matching preserves link quality
in a fluctuating operating environment**

